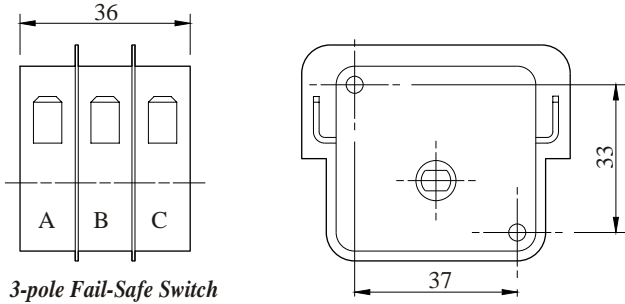


# Standard switch block Configuration

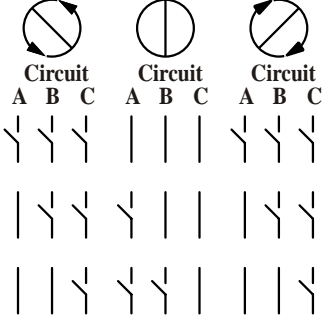
## Switch Type '0'



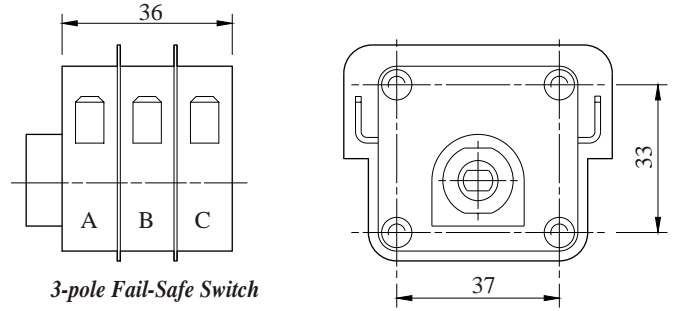
3-pole Fail-Safe Switch

2 holes 2.55 diameter for mounting

356° left    4° centre    356° right

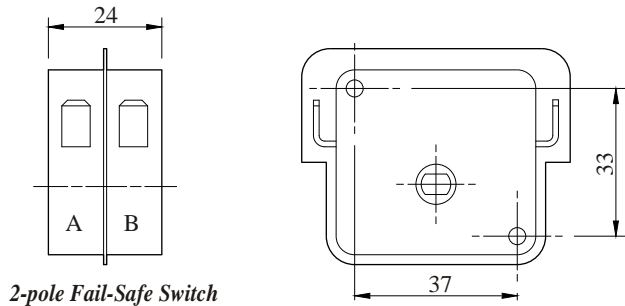
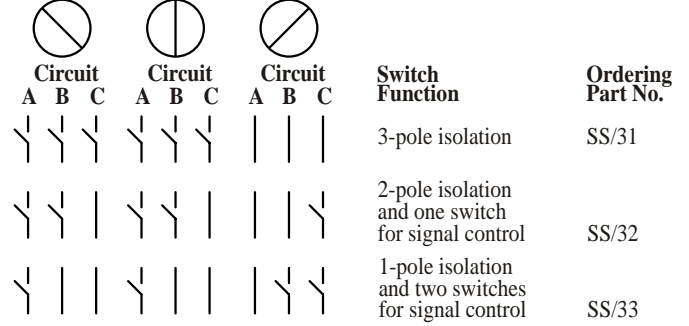


## Switch Type 'SS'



3-pole Fail-Safe Switch

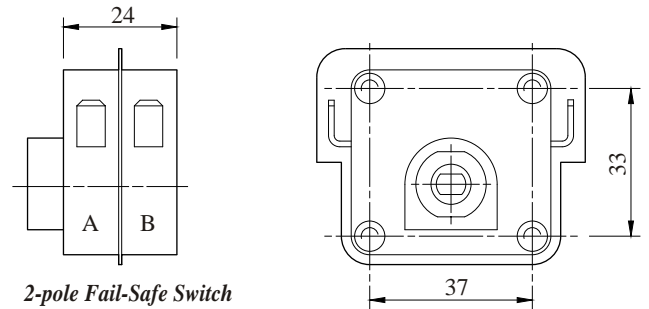
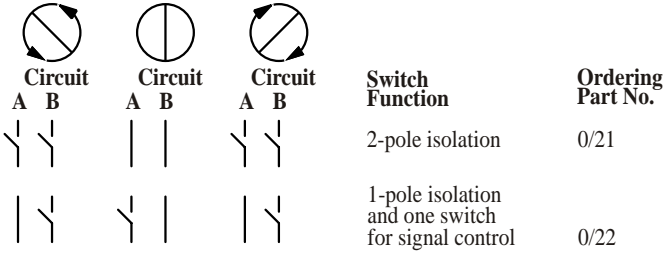
Position 1    Position 2    Position 3



2-pole Fail-Safe Switch

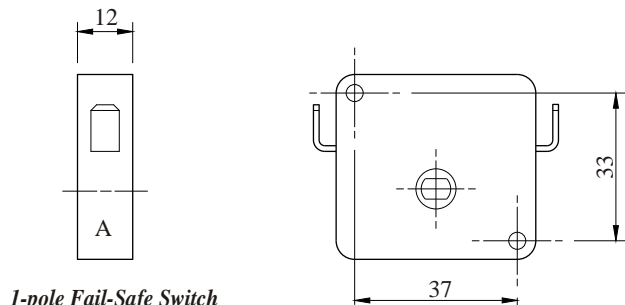
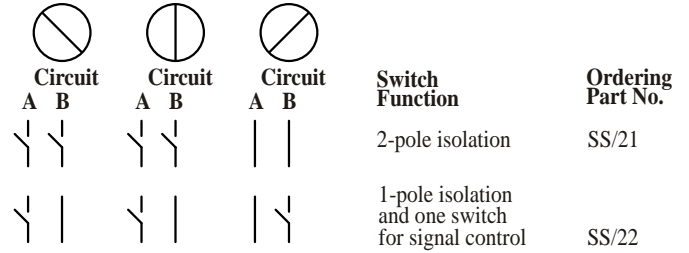
2 holes 2.55 diameter for mounting

356° left    4° centre    356° right



2-pole Fail-Safe Switch

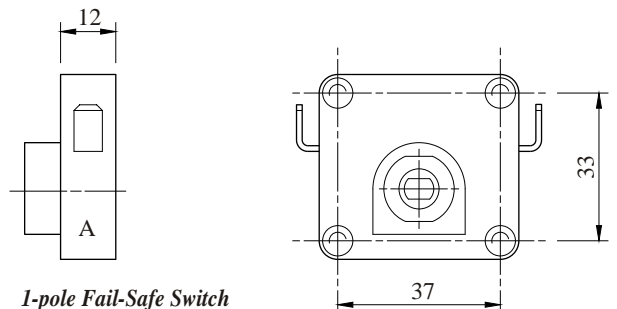
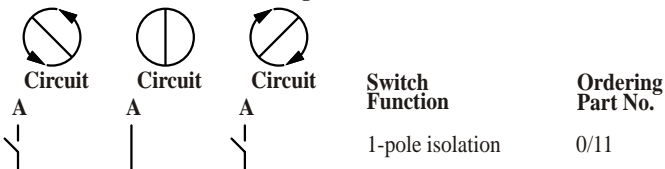
Position 1    Position 2    Position 3



1-pole Fail-Safe Switch

2 holes 2.55 diameter for mounting

356° left    4° centre    356° right



1-pole Fail-Safe Switch

Position 1    Position 2    Position 3

