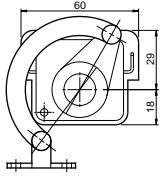
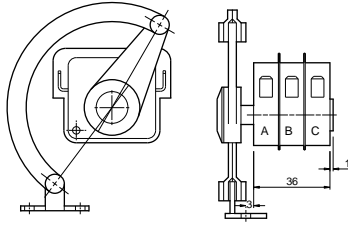


LINK ACTUATION

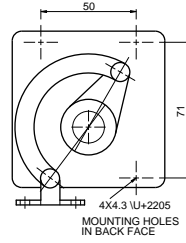
ENCLOSURE AND MOUNTING DETAILS



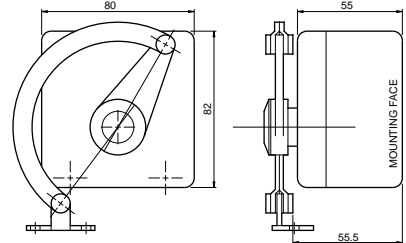
3-POLE LINK SWITCH WITH
VERNIER ADJUSTMENT



SHORT OR LONG STAINLESS STEEL LINKAGE
2 HOLES 2.55 DIAMETER FOR MOUNTING



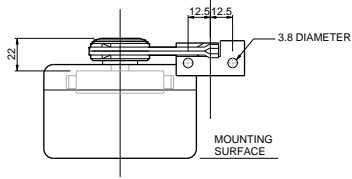
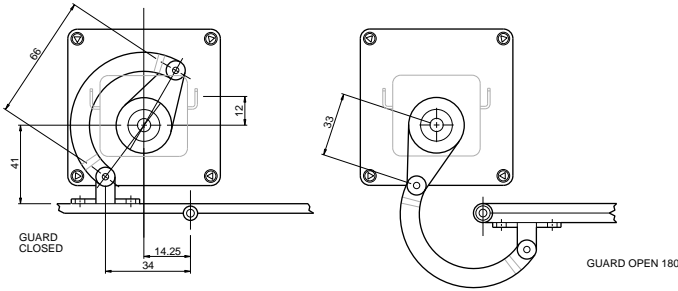
3-POLE LINK-SWITCH WITH VERNIER
ADJUSTMENT IN ALUMINIUM ENCLOSURE



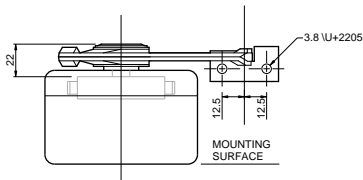
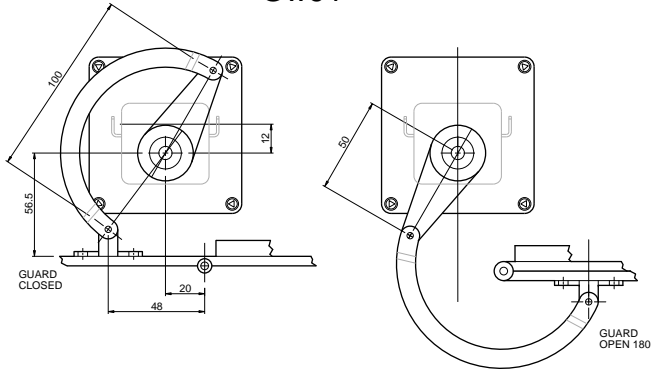
SHORT OR LONG STAINLESS STEEL LINKAGE
4 HOLES 4.3 DIAMETER FOR MOUNTING.

3-POLE ENCLOSURE DOES NOT HAVE SEALED BEARING

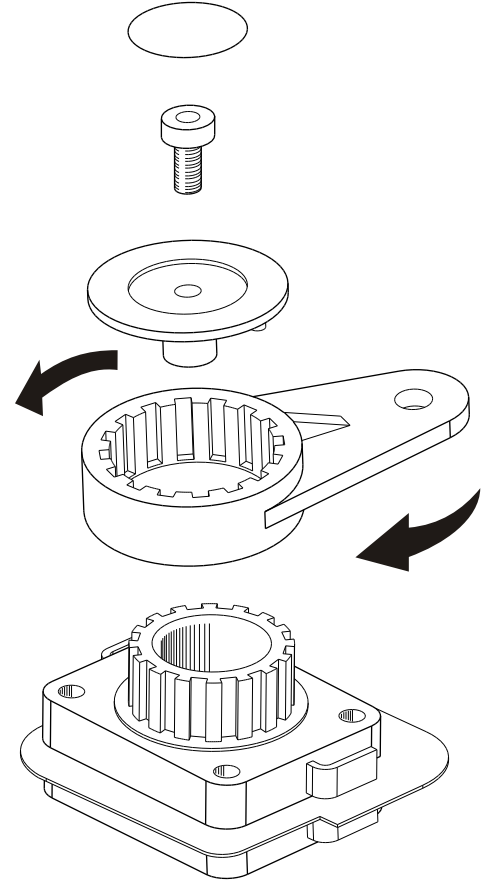
Gw9



Gw91



THE GEOMETRY OF THE LINKAGE IS SHOWN HERE TO ASSIST THE SPECIFIER.



VERNIER ADJUSTMENT ENABLES THE INSTALLATION ENGINEER TO SET THE SWITCHING POINT RELATIVE TO THE GUARD MOVEMENT, WHILE GUARANTEEING THE POSITIVE DRIVE TO COMPLY WITH SAFETY STANDARDS.